

KA78XX/KA78XXA

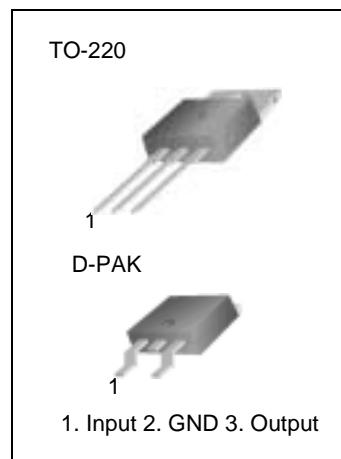
3-terminal 1A positive voltage regulator

Features

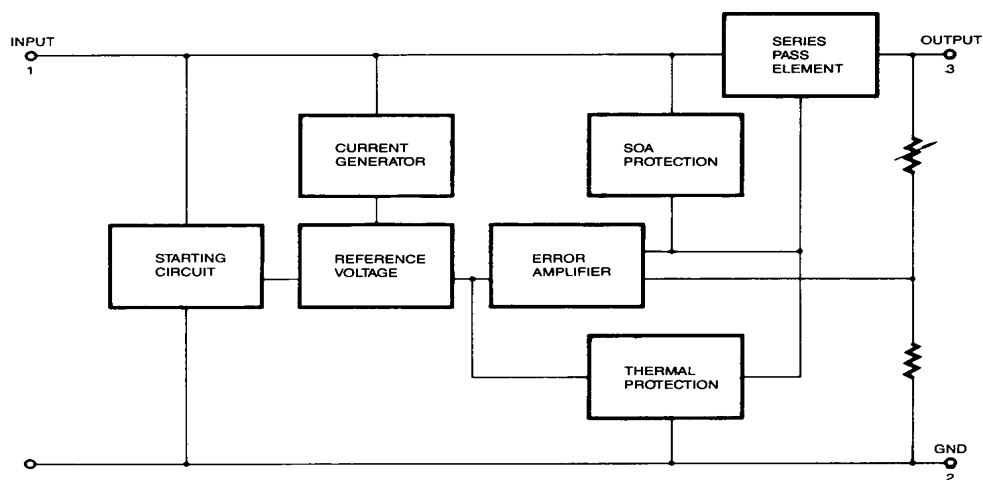
- Output Current up to 1A
- Output Voltages of 5, 6, 8, 9, 10, 11, 12, 15, 18, 24V
- Thermal Overload Protection
- Short Circuit Protection
- Output Transistor Safe Operating area Protection

Description

The KA78XX/KA78XXA series of three-terminal positive regulator are available in the TO-220/D-PAK package and with several fixed output voltages, making them useful in a wide range of applications. Each type employs internal current limiting, thermal shut-down and safe operating area protection, making it essentially indestructible. If adequate heat sinking is provided, they can deliver over 1A output current. Although designed primarily as fixed voltage regulators, these devices can be used with external components to obtain adjustable voltages and currents.



Internal Block Diagram



Absolute Maximum Ratings

Parameter	Symbol	Value	Unit
Input Voltage (for $V_O = 5V$ to $18V$) (for $V_O = 24V$)	V_I	35	V
	V_I	40	V
Thermal Resistance Junction-Cases	$R_{\theta JC}$	5	$^{\circ}C/W$
Thermal Resistance Junction-Air	$R_{\theta JA}$	65	$^{\circ}C/W$
Operating Temperature Range (KA78XX/A/R)	T_{OPR}	0 ~ +125	$^{\circ}C$
Storage Temperature Range	T_{STG}	-65 ~ +150	$^{\circ}C$

Electrical Characteristics (KA7805/KA7805R)

(Refer to test circuit, $0^{\circ}C < T_J < 125^{\circ}C$, $I_O = 500mA$, $V_I = 10V$, $C_I = 0.33\mu F$, $C_O = 0.1\mu F$, unless otherwise specified)

Parameter	Symbol	Conditions	KA7805			Unit	
			Min.	Typ.	Max.		
Output Voltage	V_O	$T_J = +25^{\circ}C$	4.8	5.0	5.2	V	
		$5.0mA \leq I_O \leq 1.0A$, $P_O \leq 15W$ $V_I = 7V$ to $20V$ $V_I = 8V$ to $20V$	4.75	5.0	5.25		
Line Regulation	ΔV_O	$T_J = +25^{\circ}C$	$V_O = 7V$ to $25V$	-	4.0	100	mV
			$V_I = 8V$ to $12V$	-	1.6	50	
Load Regulation	ΔV_O	$T_J = +25^{\circ}C$	$I_O = 5.0mA$ to $1.5A$	-	9	100	mV
			$I_O = 250mA$ to $750mA$	-	4	50	
Quiescent Current	I_Q	$T_J = +25^{\circ}C$	-	5.0	8	mA	
Quiescent Current Change	ΔI_Q	$I_O = 5mA$ to $1.0A$	-	0.03	0.5	mA	
		$V_I = 7V$ to $25V$	-	0.3	1.3		
Output Voltage Drift	$\Delta V_O / \Delta T$	$I_O = 5mA$	-	-0.8	-	mV/ $^{\circ}C$	
Output Noise Voltage	V_N	$f = 10Hz$ to $100KHz$, $T_A = +25^{\circ}C$	-	42	-	μV	
Ripple Rejection	RR	$f = 120Hz$ $V_O = 8V$ to $18V$	62	73	-	dB	
Dropout Voltage	V_O	$I_O = 1A$, $T_J = +25^{\circ}C$	-	2	-	V	
Output Resistance	R_O	$f = 1KHz$	-	15	-	m Ω	
Short Circuit Current	I_{SC}	$V_I = 35V$, $T_A = +25^{\circ}C$	-	230	-	mA	
Peak Current	I_{PK}	$T_J = +25^{\circ}C$	-	2.2	-	A	

- Load and line regulation are specified at constant junction temperature. Changes in V_O due to heating effects must be taken into account separately. Pulse testing with low duty is used.

Electrical Characteristics (KA7806/KA7806R)

(Refer to test circuit , $0^{\circ}\text{C} < T_J < +125^{\circ}\text{C}$, $I_O = 500\text{mA}$, $V_I = 11\text{V}$, $C_I = 0.33\mu\text{F}$, $C_O = 0.1\mu\text{F}$, unless otherwise specified)

Parameter	Symbol	Conditions	KA7806			Unit	
			Min.	Typ.	Max.		
Output Voltage	V_O	$T_J = +25^{\circ}\text{C}$	5.75	6.0	6.25	V	
		$5.0\text{mA} \leq I_O \leq 1.0\text{A}$, $P_D \leq 15\text{W}$ $V_I = 8.0\text{V to } 21\text{V}$ $V_I = 9.0\text{V to } 21\text{V}$	5.7	6.0	6.3		
Line Regulation	ΔV_O	$T_J = +25^{\circ}\text{C}$	$V_I = 8\text{V to } 25\text{V}$	-	5	120	mV
			$V_I = 9\text{V to } 13\text{V}$	-	1.5	60	
Load Regulation	ΔV_O	$T_J = +25^{\circ}\text{C}$	$I_O = 5\text{mA to } 1.5\text{A}$	-	9	120	mV
			$I_O = 250\text{mA to } 750\text{mA}$	-	3	60	
Quiescent Current	I_Q	$T_J = +25^{\circ}\text{C}$	-	5.0	8	mA	
Quiescent Current Change	ΔI_Q	$I_O = 5\text{mA to } 1\text{A}$	-	-	0.5	mA	
		$V_I = 8\text{V to } 25\text{V}$	-	-	1.3		
Output Voltage Drift	$\Delta V_O/\Delta T$	$I_O = 5\text{mA}$	-	-0.8	-	mV/ $^{\circ}\text{C}$	
Output Noise Voltage	V_N	$f = 10\text{Hz to } 100\text{KHz}$, $T_A = +25^{\circ}\text{C}$	-	45	-	μV	
Ripple Rejection	RR	$f = 120\text{Hz}$ $V_I = 9\text{V to } 19\text{V}$	59	75	-	dB	
Dropout Voltage	V_O	$I_O = 1\text{A}$, $T_J = +25^{\circ}\text{C}$	-	2	-	V	
Output Resistance	R_O	$f = 1\text{KHz}$	-	19	-	$\text{m}\Omega$	
Short Circuit Current	I_{SC}	$V_I = 35\text{V}$, $T_A = +25^{\circ}\text{C}$	-	250	-	mA	
Peak Current	I_{PK}	$T_J = +25^{\circ}\text{C}$	-	2.2	-	A	

- Load and line regulation are specified at constant junction temperature. Changes in V_O due to heating effects must be taken into account separately. Pulse testing with low duty is used.

Electrical Characteristics (KA7808/KA7808R)

(Refer to test circuit ,0 °C < T_J < +125 °C, I_O = 500mA, V_I = 14V, C_I= 0.33μF, C_O= 0.1μF, unless otherwise specified)

Parameter	Symbol	Conditions	KA7808			Unit	
			Min.	Typ.	Max.		
Output Voltage	V _O	T _J = +25 °C	7.7	8.0	8.3	V	
		5.0mA ≤ I _O ≤ 1.0A, P _O ≤ 15W V _I = 10.5V to 23V V _I = 11.5V to 23V	7.6	8.0	8.4		
Line Regulation	ΔV _O	T _J = +25 °C	V _I = 10.5V to 25V	-	5.0	160	mV
			V _I = 11.5V to 17V	-	2.0	80	
Load Regulation	ΔV _O	T _J = +25 °C	I _O = 5.0mA to 1.5A	-	10	160	mV
			I _O = 250mA to 750mA	-	5.0	80	
Quiescent Current	I _Q	T _J = +25 °C	-	5.0	8	mA	
Quiescent Current Change	ΔI _Q	I _O = 5mA to 1.0A	-	0.05	0.5	mA	
		V _I = 10.5V to 25V	-	0.5	1.0		
		V _I = 11.5V to 25V	-	-	-		
Output Voltage Drift	ΔV _O /ΔT	I _O = 5mA	-	-0.8	-	mV/°C	
Output Noise Voltage	V _N	f = 10Hz to 100KHz, T _A = +25 °C	-	52	-	μV	
Ripple Rejection	RR	f = 120Hz, V _I = 11.5V to 21.5	56	73	-	dB	
Dropout Voltage	V _O	I _O = 1A, T _J = +25 °C	-	2	-	V	
Output Resistance	R _O	f = 1KHz	-	17	-	mΩ	
Short Circuit Current	I _{SC}	V _I = 35V, T _A = +25 °C	-	230	-	mA	
Peak Current	I _{PK}	T _J = +25 °C	-	2.2	-	A	

- Load and line regulation are specified at constant junction temperature. Changes in V_O due to heating effects must be taken into account separately. Pulse testing with low duty is used.

Electrical Characteristics (KA7809/KA7809R)

(Refer to test circuit ,0 °C < T_J < +125 °C, I_O = 500mA, V_I = 15V, C_I= 0.33μF, C_O= 0.1μF, unless otherwise specified)

Parameter	Symbol	Conditions	KA7809			Unit	
			Min.	Typ.	Max.		
Output Voltage	V _O	T _J = +25 °C	8.65	9	9.35	V	
		5.0mA ≤ I _O ≤ 1.0A, P _D ≤ 15W V _I = 11.5V to 24V V _I = 12.5V to 24V	8.6	9	9.4		
Line Regulation	ΔV _O	T _J = +25 °C	V _I = 11.5V to 25V	-	6	180	mV
			V _I = 12V to 25V	-	2	90	
Load Regulation	ΔV _O	T _J = +25 °C	I _O = 5mA to 1.5A	-	12	180	mV
			I _O = 250mA to 750mA	-	4	90	
Quiescent Current	I _Q	T _J = +25 °C	-	5.0	8	mA	
Quiescent Current Change	ΔI _Q	I _O = 5mA to 1.0A	-	-	0.5	mA	
		V _I = 11.5V to 26V	-	-	1.3		
		V _I = 12.5V to 26V	-	-	-		
Output Voltage Drift	ΔV _O /ΔT	I _O = 5mA	-	-1	-	mV/°C	
Output Noise Voltage	V _N	f = 10Hz to 100KHz, T _A = +25 °C	-	58	-	μV	
Ripple Rejection	RR	f = 120Hz V _I = 13V to 23V	56	71	-	dB	
Dropout Voltage	V _O	I _O = 1A, T _J = +25 °C	-	2	-	V	
Output Resistance	R _O	f = 1KHz	-	17	-	mΩ	
Short Circuit Current	I _{SC}	V _I = 35V, T _A = +25 °C	-	250	-	mA	
Peak Current	I _{PK}	T _J = +25 °C	-	2.2	-	A	

- Load and line regulation are specified at constant junction temperature. Changes in V_O due to heating effects must be taken into account separately. Pulse testing with low duty is used.

Electrical Characteristics (KA7810/KA7810R)

(Refer to test circuit ,0 °C < T_J < +125 °C, I_O = 500mA, V_I = 16V, C_I= 0.33μF, C_O= 0.1μF, unless otherwise specified)

Parameter	Symbol	Conditions	KA7810			Unit	
			Min.	Typ.	Max.		
Output Voltage	V _O	T _J = +25 °C	9.6	10	10.4	V	
		5.0mA ≤ I _O ≤ 1.0A, P _D ≤ 15W V _I = 12.5V to 25V V _I = 13.5V to 25V	9.5	10	10.5		
Line Regulation	ΔV _O	T _J = +25 °C	V _I = 12.5V to 25V	-	10	200	mV
			V _I = 13V to 25V	-	3	100	
Load Regulation	ΔV _O	T _J = +25 °C	I _O = 5mA to 1.5A	-	12	200	mV
			I _O = 250mA to 750mA	-	4	400	
Quiescent Current	I _Q	T _J = +25 °C	-	5.1	8	mA	
Quiescent Current Change	ΔI _Q	I _O = 5mA to 1.0A	-	-	0.5	mA	
		V _I = 12.5V to 29V	-	-	1.0		
		V _I = 13.5V to 29V	-	-	-		
Output Voltage Drift	ΔV _O /ΔT	I _O = 5mA	-	-1	-	mV/°C	
Output Noise Voltage	V _N	f = 10Hz to 100KHz, T _A = +25 °C	-	58	-	μV	
Ripple Rejection	RR	f = 120Hz V _I = 13V to 23V	56	71	-	dB	
Dropout Voltage	V _O	I _O = 1A, T _J = +25 °C	-	2	-	V	
Output Resistance	R _O	f = 1KHz	-	17	-	mΩ	
Short Circuit Current	I _{SC}	V _I = 35V, T _A = +25 °C	-	250	-	mA	
Peak Current	I _{PK}	T _J = +25 °C	-	2.2	-	A	

- Load and line regulation are specified at constant junction temperature. Changes in V_O due to heating effects must be taken into account separately. Pulse testing with low duty is used.

Electrical Characteristics (KA7811/KA7811R)

(Refer to test circuit ,0 °C < T_J < +125 °C, I_O = 500mA, V_I = 18V, C_I= 0.33μF, C_O= 0.1μF, unless otherwise specified)

Parameter	Symbol	Conditions	KA7811			Unit	
			Min.	Typ.	Max.		
Output Voltage	V _O	T _J = +25 °C	10.6	11	11.4	V	
		5.0mA ≤ I _O ≤ 1.0A, P _D ≤ 15W V _I = 13.5V to 26V V _I = 14.5V to 26V	10.5	11	11.5		
Line Regulation	ΔV _O	T _J = +25 °C	V _I = 13.5V to 25V	-	10	220	mV
			V _I = 14V to 21V	-	3	110	
Load Regulation	ΔV _O	T _J = +25 °C	I _O = 5.0mA to 1.5A	-	12	220	mV
			I _O = 250mA to 750mA	-	4	110	
Quiescent Current	I _Q	T _J = +25 °C	-	5.1	8	mA	
Quiescent Current Change	ΔI _Q	I _O = 5mA to 1.0A V _I = 13.5V to 29V V _I = 14.5V to 29V	-	-	0.5	mA	
			-	-	1.0		
			-	-	-		
Output Voltage Drift	ΔV _O /ΔT	I _O = 5mA	-	-1	-	mV/°C	
Output Noise Voltage	V _N	f = 10Hz to 100KHz, T _A = +25 °C	-	70	-	μV	
Ripple Rejection	RR	f = 120Hz V _I = 14V to 24V	55	71	-	dB	
Dropout Voltage	V _O	I _O = 1A, T _J = +25 °C	-	2	-	V	
Output Resistance	R _O	f = 1KHz	-	18	-	mΩ	
Short Circuit Current	I _{SC}	V _I = 35V, T _A = +25 °C	-	250	-	mA	
Peak Current	I _{PK}	T _J = +25 °C	-	2.2	-	A	

- Load and line regulation are specified at constant junction temperature. Changes in V_O due to heating effects must be taken into account separately. Pulse testing with low duty is used.

Electrical Characteristics (KA7812/KA7812R)

(Refer to test circuit ,0 °C < T_J < +125 °C, I_O = 500mA, V_I = 19V, C_I= 0.33μF, C_O= 0.1μF, unless otherwise specified)

Parameter	Symbol	Conditions	KA7812			Unit	
			Min.	Typ.	Max.		
Output Voltage	V _O	T _J = +25 °C	11.5	12	12.5	V	
		5.0mA ≤ I _O ≤ 1.0A, P _D ≤ 15W V _I = 14.5V to 27V V _I = 15.5V to 27V	11.4	12	12.6		
Line Regulation	ΔV _O	T _J = +25 °C	V _I = 14.5V to 30V	-	10	240	mV
			V _I = 16V to 22V	-	3.0	120	
Load Regulation	ΔV _O	T _J = +25 °C	I _O = 5mA to 1.5A	-	11	240	mV
			I _O = 250mA to 750mA	-	5.0	120	
Quiescent Current	I _Q	T _J = +25 °C	-	5.1	8	mA	
Quiescent Current Change	ΔI _Q	I _O = 5mA to 1.0A	-	0.1	0.5	mA	
		V _I = 14.5V to 30V	-	0.5	1.0		
		V _I = 15V to 30V	-	-	-		
Output Voltage Drift	ΔV _O /ΔT	I _O = 5mA	-	-1	-	mV/°C	
Output Noise Voltage	V _N	f = 10Hz to 100KHz, T _A = +25 °C	-	76	-	μV	
Ripple Rejection	RR	f = 120Hz V _I = 15V to 25V	55	71	-	dB	
Dropout Voltage	V _O	I _O = 1A, T _J = +25 °C	-	2	-	V	
Output Resistance	R _O	f = 1KHz	-	18	-	mΩ	
Short Circuit Current	I _{SC}	V _I = 35V, T _A = +25 °C	-	230	-	mA	
Peak Current	I _{PK}	T _J = +25 °C	-	2.2	-	A	

- Load and line regulation are specified at constant junction temperature. Changes in V_O due to heating effects must be taken into account separately. Pulse testing with low duty is used.

Electrical Characteristics (KA7815/KA7815R)

(Refer to test circuit ,0 °C < T_J < +125 °C, I_O = 500mA, V_I = 23V, C_I = 0.33μF, C_O = 0.1μF, unless otherwise specified)

Parameter	Symbol	Conditions	KA7815			Unit	
			Min.	Typ.	Max.		
Output Voltage	V _O	T _J = +25 °C	14.4	15	15.6	V	
		5.0mA ≤ I _O ≤ 1.0A, P _D ≤ 15W V _I = 17.5V to 30V V _I = 18.5V to 30V	14.25	15	15.75		
Line Regulation	ΔV _O	T _J = +25 °C	V _I = 17.5V to 30V	-	11	300	mV
			V _I = 20V to 26V	-	3	150	
Load Regulation	ΔV _O	T _J = +25 °C	I _O = 5mA to 1.5A	-	12	300	mV
			I _O = 250mA to 750mA	-	4	150	
Quiescent Current	I _Q	T _J = +25 °C	-	5.2	8	mA	
Quiescent Current Change	ΔI _Q	I _O = 5mA to 1.0A	-	-	0.5	mA	
		V _I = 17.5V to 30V	-	-	1.0		
		V _I = 18.5V to 30V	-	-	-		
Output Voltage Drift	ΔV _O /ΔT	I _O = 5mA	-	-1	-	mV/°C	
Output Noise Voltage	V _N	f = 10Hz to 100KHz, T _A = +25 °C	-	90	-	μV	
Ripple Rejection	RR	f = 120Hz V _I = 18.5V to 28.5V	54	70	-	dB	
Dropout Voltage	V _O	I _O = 1A, T _J = +25 °C	-	2	-	V	
Output Resistance	R _O	f = 1KHz	-	19	-	mΩ	
Short Circuit Current	I _{SC}	V _I = 35V, T _A = +25 °C	-	250	-	mA	
Peak Current	I _{PK}	T _J = +25 °C	-	2.2	-	A	

- Load and line regulation are specified at constant junction temperature. Changes in V_O due to heating effects must be taken into account separately. Pulse testing with low duty is used.

Electrical Characteristics (KA7818/KA7818R)

(Refer to test circuit , $0^{\circ}\text{C} < T_J < +125^{\circ}\text{C}$, $I_O = 500\text{mA}$, $V_I = 27\text{V}$, $C_I = 0.33\mu\text{F}$, $C_O = 0.1\mu\text{F}$, unless otherwise specified)

Parameter	Symbol	Conditions	KA7818			Unit	
			Min.	Typ.	Max.		
Output Voltage	V_O	$T_J = +25^{\circ}\text{C}$	17.3	18	18.7	V	
		$5.0\text{mA} \leq I_O \leq 1.0\text{A}$, $P_D \leq 15\text{W}$ $V_I = 21\text{V to } 33\text{V}$ $V_I = 22\text{V to } 33\text{V}$	17.1	18	18.9		
Line Regulation	ΔV_O	$T_J = +25^{\circ}\text{C}$	$V_I = 21\text{V to } 33\text{V}$	-	15	360	mV
			$V_I = 24\text{V to } 30\text{V}$	-	5	180	
Load Regulation	ΔV_O	$T_J = +25^{\circ}\text{C}$	$I_O = 5\text{mA to } 1.5\text{A}$	-	15	360	mV
			$I_O = 250\text{mA to } 750\text{mA}$	-	5.0	180	
Quiescent Current	I_Q	$T_J = +25^{\circ}\text{C}$	-	5.2	8	mA	
Quiescent Current Change	ΔI_Q	$I_O = 5\text{mA to } 1.0\text{A}$	-	-	0.5	mA	
		$V_I = 21\text{V to } 33\text{V}$	-	-	1		
		$V_I = 22\text{V to } 33\text{V}$	-	-			
Output Voltage Drift	$\Delta V_O/\Delta T$	$I_O = 5\text{mA}$	-	-1	-	mV/ $^{\circ}\text{C}$	
Output Noise Voltage	V_N	$f = 10\text{Hz to } 100\text{KHz}$, $T_A = +25^{\circ}\text{C}$	-	110	-	μV	
Ripple Rejection	RR	$f = 120\text{Hz}$ $V_I = 22\text{V to } 32\text{V}$	53	69	-	dB	
Dropout Voltage	V_O	$I_O = 1\text{A}$, $T_J = +25^{\circ}\text{C}$	-	2	-	V	
Output Resistance	R_O	$f = 1\text{KHz}$	-	22	-	$\text{m}\Omega$	
Short Circuit Current	ISC	$V_I = 35\text{V}$, $T_A = +25^{\circ}\text{C}$	-	250	-	mA	
Peak Current	IPK	$T_J = +25^{\circ}\text{C}$	-	2.2	-	A	

- Load and line regulation are specified at constant junction temperature. Changes in V_O due to heating effects must be taken into account separately. Pulse testing with low duty is used.

Electrical Characteristics (KA7824/KA7824R)

(Refer to test circuit ,0 °C < T_J < +125 °C, I_O = 500mA, V_I = 33V, C_I = 0.33μF, C_O = 0.1μF, unless otherwise specified)

Parameter	Symbol	Conditions	KA7824			Unit	
			Min.	Typ.	Max.		
Output Voltage	V _O	T _J = +25 °C	23	24	25	V	
		5.0mA ≤ I _O ≤ 1.0A, P _D ≤ 15W V _I = 27V to 38V V _I = 28V to 38V	22.8	24	25.25		
Line Regulation	ΔV _O	T _J = +25 °C	V _I = 27V to 38V	-	17	480	mV
			V _I = 30V to 36V	-	6	240	
Load Regulation	ΔV _O	T _J = +25 °C	I _O = 5mA to 1.5A	-	15	480	mV
			I _O = 250mA to 750mA	-	5.0	240	
Quiescent Current	I _Q	T _J = +25 °C	-	5.2	8	mA	
Quiescent Current Change	ΔI _Q	I _O = 5mA to 1.0A	-	0.1	0.5	mA	
		V _I = 27V to 38V	-	0.5	1		
		V _I = 28V to 38V	-	-	-		
Output Voltage Drift	ΔV _O /ΔT	I _O = 5mA	-	-1.5	-	mV/ °C	
Output Noise Voltage	V _N	f = 10Hz to 100KHz, T _A = +25 °C	-	60	-	μV	
Ripple Rejection	RR	f = 120Hz V _I = 28V to 38V	50	67	-	dB	
Dropout Voltage	V _O	I _O = 1A, T _J = +25 °C	-	2	-	V	
Output Resistance	R _O	f = 1KHz	-	28	-	mΩ	
Short Circuit Current	I _{SC}	V _I = 35V, T _A = +25 °C	-	230	-	mA	
Peak Current	I _{PK}	T _J = +25 °C	-	2.2	-	A	

- Load and line regulation are specified at constant junction temperature. Changes in V_O due to heating effects must be taken into account separately. Pulse testing with low duty is used.

Electrical Characteristics (KA7805A)

(Refer to the test circuits. $T_J = 0$ to $+125$ °C, $I_O = 1$ A, $V_I = 10$ V, $C_I = 0.33\mu$ F, $C_O = 0.1\mu$ F, unless otherwise specified)

Parameter	Symbol	Conditions	Min.	Typ.	Max.	Unit	
Output Voltage	V_O	$T_J = +25$ °C	4.9	5	5.1	V	
		$I_O = 5$ mA to 1 A, $P_D \leq 5$ W $V_I = 7.5$ V to 20 V	4.8	5	5.2		
*Line Regulation	ΔV_O	$V_I = 7.5$ V to 25 V $I_O = 500$ mA	-	5	50	mV	
		$V_I = 8$ V to 12 V	-	3	50		
		$T_J = +25$ °C	$V_I = 7.3$ V to 25 V	-	5		50
			$V_I = 8$ V to 12 V	-	1.5		25
*Load Regulation		$T_J = +25$ °C $I_O = 5$ mA to 1.5 A	-	9	100	mV	
		$I_O = 5$ mA to 1 A	-	9	100		
		$I_O = 250$ mA to 750 mA	-	4	50		
Quiescent Current	I_Q	$T_J = +25$ °C	-	5.0	6	mA	
Quiescent Current Change	ΔI_Q	$I_O = 5$ mA to 1 A	-	-	0.5	mA	
		$V_I = 8$ V to 25 V, $I_O = 500$ mA	-	-	0.8		
		$V_I = 7.5$ V to 20 V, $T_J = +25$ °C	-	-	0.8		
Output Voltage Drift	$\Delta V/\Delta T$	$I_O = 5$ mA	-	-0.8	-	mV/°C	
Output Noise Voltage	V_N	$f = 10$ Hz to 100 KHz $T_A = +25$ °C	-	10	-	μ V	
Ripple Rejection	RR	$f = 120$ Hz, $I_O = 500$ mA $V_I = 8$ V to 18 V	-	68	-	dB	
Dropout Voltage	V_D	$I_O = 1$ A, $T_J = +25$ °C	-	2	-	V	
Output Resistance	R_O	$f = 1$ KHz	-	17	-	m Ω	
Short Circuit Current	ISC	$V_I = 35$ V, $T_A = +25$ °C	-	250	-	mA	
Peak Current	I_{PK}	$T_J = +25$ °C	-	2.2	-	A	

- Load and line regulation are specified at constant junction temperature. Change in V_O due to heating effects must be taken into account separately. Pulse testing with low duty is used.

Electrical Characteristics (KA7806A)

(Refer to the test circuits. $T_J = 0$ to $+150$ °C, $I_O = 1$ A, $V_I = 11$ V, $C_I = 0.33$ μ F, $C_O = 0.1$ μ F, unless otherwise specified)

Parameter	Symbol	Conditions	Min.	Typ.	Max.	Unit	
Output Voltage	V_O	$T_J = +25$ °C	5.58	6	6.12	V	
		$I_O = 5$ mA to 1 A, $P_D \leq 15$ W $V_I = 8.6$ V to 21 V	5.76	6	6.24		
*Line Regulation	ΔV_O	$V_I = 8.6$ V to 25 V $I_O = 500$ mA	-	5	60	mV	
		$V_I = 9$ V to 13 V	-	3	60		
		$T_J = +25$ °C	$V_I = 8.3$ V to 21 V	-	5		60
			$V_I = 9$ V to 13 V	-	1.5		30
*Load Regulation		$T_J = +25$ °C $I_O = 5$ mA to 1.5 A	-	9	100	mV	
		$I_O = 5$ mA to 1 A	-	4	100		
		$I_O = 250$ mA to 750 mA	-	5.0	50		
Quiescent Current	I_Q	$T_J = +25$ °C	-	4.3	6	mA	
Quiescent Current Change	ΔI_Q	$I_O = 5$ mA to 1 A	-	-	0.5	mA	
		$V_I = 9$ V to 25 V, $I_O = 500$ mA	-	-	0.8		
		$V_I = 8.5$ V to 21 V, $T_J = +25$ °C	-	-	0.8		
Output Voltage Drift	$\Delta V/\Delta T$	$I_O = 5$ mA	-	-0.8	-	mV/°C	
Output Noise Voltage	V_N	$f = 10$ Hz to 100 KHz $T_A = +25$ °C	-	10	-	μ V	
Ripple Rejection	RR	$f = 120$ Hz, $I_O = 500$ mA $V_I = 9$ V to 19 V	-	65	-	dB	
Dropout Voltage	V_D	$I_O = 1$ A, $T_J = +25$ °C	-	2	-	V	
Output Resistance	R_O	$f = 1$ KHz	-	17	-	m Ω	
Short Circuit Current	ISC	$V_I = 35$ V, $T_A = +25$ °C	-	250	-	mA	
Peak Current	I_{PK}	$T_J = +25$ °C	-	2.2	-	A	

- Load and line regulation are specified at constant, junction temperature. Change in V_O due to heating effects must be taken into account separately. Pulse testing with low duty is used.

Electrical Characteristics (KA7808A)

(Refer to the test circuits. $T_J = 0^\circ\text{C}$ to $+150^\circ\text{C}$, $I_O = 1\text{A}$, $V_I = 14\text{V}$, $C_I = 0.33\mu\text{F}$, $C_O = 0.1\mu\text{F}$, unless otherwise specified)

Parameter	Symbol	Conditions	Min.	Typ.	Max.	Unit	
Output Voltage	V_O	$T_J = +25^\circ\text{C}$	7.84	8	8.16	V	
		$I_O = 5\text{mA}$ to 1A , $P_D \leq 15\text{W}$ $V_I = 8.6\text{V}$ to 21V	7.7	8	8.3		
*Line Regulation	ΔV_O	$V_I = 10.6\text{V}$ to 25V $I_O = 500\text{mA}$	-	6	80	mV	
		$V_I = 11\text{V}$ to 17V	-	3	80		
		$T_J = +25^\circ\text{C}$	$V_I = 10.4\text{V}$ to 23V	-	6		80
			$V_I = 11\text{V}$ to 17V	-	2		40
*Load Regulation		$T_J = +25^\circ\text{C}$ $I_O = 5\text{mA}$ to 1.5A	-	12	100	mV	
		$I_O = 5\text{mA}$ to 1A	-	12	100		
		$I_O = 250\text{mA}$ to 750mA	-	5	50		
Quiescent Current	I_Q	$T_J = +25^\circ\text{C}$	-	5.0	6	mA	
Quiescent Current Change	ΔI_Q	$I_O = 5\text{mA}$ to 1A	-	-	0.5	mA	
		$V_I = 11\text{V}$ to 25V , $I_O = 500\text{mA}$	-	-	0.8		
		$V_I = 10.6\text{V}$ to 23V , $T_J = +25^\circ\text{C}$	-	-	0.8		
Output Voltage Drift	$\Delta V/\Delta T$	$I_O = 5\text{mA}$	-	-0.8	-	mV/ $^\circ\text{C}$	
Output Noise Voltage	V_N	$f = 10\text{Hz}$ to 100KHz $T_A = +25^\circ\text{C}$	-	10	-	μV	
Ripple Rejection	RR	$f = 120\text{Hz}$, $I_O = 500\text{mA}$ $V_I = 11.5\text{V}$ to 21.5V	-	62	-	dB	
Dropout Voltage	V_D	$I_O = 1\text{A}$, $T_J = +25^\circ\text{C}$	-	2	-	V	
Output Resistance	R_O	$f = 1\text{KHz}$	-	18	-	$\text{m}\Omega$	
Short Circuit Current	ISC	$V_I = 35\text{V}$, $T_A = +25^\circ\text{C}$	-	250	-	mA	
Peak Current	I_{PK}	$T_J = +25^\circ\text{C}$	-	2.2	-	A	

- Load and line regulation are specified at constant, junction temperature. Change in V_O due to heating effects must be taken into account separately. Pulse testing with low duty is used.

Electrical Characteristics (KA7809A)

(Refer to the test circuits. $T_J = 0^\circ\text{C}$ to $+125^\circ\text{C}$, $I_O = 1\text{A}$, $V_I = 15\text{V}$, $C_I = 0.33\mu\text{F}$, $C_O = 0.1\mu\text{F}$, unless otherwise specified)

Parameter	Symbol	Conditions	Min.	Typ.	Max.	Unit	
Output Voltage	V_O	$T_J = +25^\circ\text{C}$	8.82	9.0	9.18	V	
		$I_O = 5\text{mA}$ to 1A , $P_D \leq 15\text{W}$ $V_I = 11.2\text{V}$ to 24V	8.65	9.0	9.35		
*Line Regulation	ΔV_O	$V_I = 11.7\text{V}$ to 25V $I_O = 500\text{mA}$	-	6	90	mV	
		$V_I = 12.5\text{V}$ to 19V	-	4	45		
		$T_J = +25^\circ\text{C}$	$V_I = 11.5\text{V}$ to 24V	-	6		90
			$V_I = 12.5\text{V}$ to 19V	-	2		45
*Load Regulation		$T_J = +25^\circ\text{C}$ $I_O = 5\text{mA}$ to 1.0A	-	12	100	mV	
		$I_O = 5\text{mA}$ to 1.0A	-	12	100		
		$I_O = 250\text{mA}$ to 750mA	-	5	50		
Quiescent Current	I_Q	$T_J = +25^\circ\text{C}$	-	5.0	6.0	mA	
Quiescent Current Change	ΔI_Q	$V_I = 11.7\text{V}$ to 25V , $T_J = +25^\circ\text{C}$	-	-	0.8	mA	
		$V_I = 12\text{V}$ to 25V , $I_O = 500\text{mA}$	-	-	0.8		
		$I_O = 5\text{mA}$ to 1.0A	-	-	0.5		
Output Voltage Drift	$\Delta V/\Delta T$	$I_O = 5\text{mA}$	-	-1.0	-	mV/ $^\circ\text{C}$	
Output Noise Voltage	V_N	$f = 10\text{Hz}$ to 100KHz $T_A = +25^\circ\text{C}$	-	10	-	μV	
Ripple Rejection	RR	$f = 120\text{Hz}$, $I_O = 500\text{mA}$ $V_I = 12\text{V}$ to 22V	-	62	-	dB	
Dropout Voltage	V_D	$I_O = 1\text{A}$, $T_J = +25^\circ\text{C}$	-	2.0	-	V	
Output Resistance	R_O	$f = 1\text{KHz}$	-	17	-	$\text{m}\Omega$	
Short Circuit Current	ISC	$V_I = 35\text{V}$, $T_A = +25^\circ\text{C}$	-	250	-	mA	
Peak Current	I_{PK}	$T_J = +25^\circ\text{C}$	-	2.2	-	A	

- Load and line regulation are specified at constant, junction temperature. Change in V_O due to heating effects must be taken into account separately. Pulse testing with low duty is used.

Electrical Characteristics (KA7810A)

(Refer to the test circuits. $T_J = 0$ to $+125^\circ\text{C}$, $I_O = 1\text{A}$, $V_I = 16\text{V}$, $C_I = 0.33\mu\text{F}$, $C_O = 0.1\mu\text{F}$, unless otherwise specified)

Parameter	Symbol	Conditions	Min.	Typ.	Max.	Unit	
Output Voltage	V_O	$T_J = +25^\circ\text{C}$	9.8	10	10.2	V	
		$I_O = 5\text{mA}$ to 1A , $P_D \leq 15\text{W}$ $V_I = 12.8\text{V}$ to 25V	9.6	10	10.4		
*Line Regulation	ΔV_O	$V_I = 12.8\text{V}$ to 26V $I_O = 500\text{mA}$	-	8	100	mV	
		$V_I = 13\text{V}$ to 20V	-	4	50		
		$T_J = +25^\circ\text{C}$	$V_I = 12.5\text{V}$ to 25V	-	8		100
			$V_I = 13\text{V}$ to 20V	-	3		50
*Load Regulation		$T_J = +25^\circ\text{C}$ $I_O = 5\text{mA}$ to 1.5A	-	12	100	mV	
		$I_O = 5\text{mA}$ to 1.0A	-	12	100		
		$I_O = 250\text{mA}$ to 750mA	-	5	50		
Quiescent Current	I_Q	$T_J = +25^\circ\text{C}$	-	5.0	6.0	mA	
Quiescent Current Change	ΔI_Q	$V_I = 13\text{V}$ to 26V , $T_J = +25^\circ\text{C}$	-	-	0.5	mA	
		$V_I = 12.8\text{V}$ to 25V , $I_O = 500\text{mA}$	-	-	0.8		
		$I_O = 5\text{mA}$ to 1.0A	-	-	0.5		
Output Voltage Drift	$\Delta V/\Delta T$	$I_O = 5\text{mA}$	-	-1.0	-	mV/ $^\circ\text{C}$	
Output Noise Voltage	V_N	$f = 10\text{Hz}$ to 100KHz $T_A = +25^\circ\text{C}$	-	10	-	μV	
Ripple Rejection	RR	$f = 120\text{Hz}$, $I_O = 500\text{mA}$ $V_I = 14\text{V}$ to 24V	-	62	-	dB	
Dropout Voltage	V_D	$I_O = 1\text{A}$, $T_J = +25^\circ\text{C}$	-	2.0	-	V	
Output Resistance	R_O	$f = 1\text{KHz}$	-	17	-	$\text{m}\Omega$	
Short Circuit Current	ISC	$V_I = 35\text{V}$, $T_A = +25^\circ\text{C}$	-	250	-	mA	
Peak Current	I_{PK}	$T_J = +25^\circ\text{C}$	-	2.2	-	A	

- Load and line regulation are specified at constant, junction temperature. Change in V_O due to heating effects must be taken into account separately. Pulse testing with low duty is used.

Electrical Characteristics (KA7811A)

(Refer to the test circuits. $T_J = 0$ to $+125^\circ\text{C}$, $I_O = 1\text{A}$, $V_I = 18\text{V}$, $C_I = 0.33\mu\text{F}$, $C_O = 0.1\mu\text{F}$, unless otherwise specified)

Parameter	Symbol	Conditions	Min.	Typ.	Max.	Unit	
Output Voltage	V_O	$T_J = +25^\circ\text{C}$	10.8	11.0	11.2	V	
		$I_O = 5\text{mA}$ to 1A , $P_D \leq 15\text{W}$ $V_I = 13.8\text{V}$ to 26V	10.6	11.0	11.4		
*Line Regulation	ΔV_O	$V_I = 12.8\text{V}$ to 26V $I_O = 500\text{mA}$	-	10	110	mV	
		$V_I = 15\text{V}$ to 21V	-	4	55		
		$T_J = +25^\circ\text{C}$	$V_I = 13.5\text{V}$ to 26V	-	10		110
			$V_I = 15\text{V}$ to 21V	-	3		55
*Load Regulation		$T_J = +25^\circ\text{C}$ $I_O = 5\text{mA}$ to 1.5A	-	12	100	mV	
		$I_O = 5\text{mA}$ to 1.0A	-	12	100		
		$I_O = 250\text{mA}$ to 750mA	-	5	50		
Quiescent Current	I_Q	$T_J = +25^\circ\text{C}$	-	5.1	6.0	mA	
Quiescent Current Change	ΔI_Q	$V_I = 13.8\text{V}$ to 26V , $T_J = +25^\circ\text{C}$	-	-	0.8	mA	
		$V_I = 14\text{V}$ to 27V , $I_O = 500\text{mA}$	-	-	0.8		
		$I_O = 5\text{mA}$ to 1.0A	-	-	0.5		
Output Voltage Drift	$\Delta V/\Delta T$	$I_O = 5\text{mA}$	-	-1.0	-	mV/ $^\circ\text{C}$	
Output Noise Voltage	V_N	$f = 10\text{Hz}$ to 100KHz $T_A = +25^\circ\text{C}$	-	10	-	μV	
Ripple Rejection	RR	$f = 120\text{Hz}$, $I_O = 500\text{mA}$ $V_I = 14\text{V}$ to 24V	-	61	-	dB	
Dropout Voltage	V_D	$I_O = 1\text{A}$, $T_J = +25^\circ\text{C}$	-	2.0	-	V	
Output Resistance	R_O	$f = 1\text{KHz}$	-	18	-	$\text{m}\Omega$	
Short Circuit Current	ISC	$V_I = 35\text{V}$, $T_A = +25^\circ\text{C}$	-	250	-	mA	
Peak Current	I_{PK}	$T_J = +25^\circ\text{C}$	-	2.2	-	A	

- Load and line regulation are specified at constant, junction temperature. Change in V_O due to heating effects must be taken into account separately. Pulse testing with low duty is used.

Electrical Characteristics (KA7812A)

(Refer to the test circuits. $T_J = 0$ to $+125^\circ\text{C}$, $I_O = 1\text{A}$, $V_I = 19\text{V}$, $C_I = 0.33\mu\text{F}$, $C_O = 0.1\mu\text{F}$, unless otherwise specified)

Parameter	Symbol	Conditions	Min.	Typ.	Max.	Unit	
Output Voltage	V_O	$T_J = +25^\circ\text{C}$	11.75	12	12.25	V	
		$I_O = 5\text{mA}$ to 1A , $P_D \leq 15\text{W}$ $V_I = 14.8\text{V}$ to 27V	11.5	12	12.5		
*Line Regulation	ΔV_O	$V_I = 14.8\text{V}$ to 30V $I_O = 500\text{mA}$	-	10	120	mV	
		$V_I = 16\text{V}$ to 22V	-	4	120		
		$T_J = +25^\circ\text{C}$	$V_I = 14.5\text{V}$ to 27V	-	10		120
			$V_I = 16\text{V}$ to 22V	-	3		60
*Load Regulation		$T_J = +25^\circ\text{C}$ $I_O = 5\text{mA}$ to 1.5A	-	12	100	mV	
		$I_O = 5\text{mA}$ to 1.0A	-	12	100		
		$I_O = 250\text{mA}$ to 750mA	-	5	50		
Quiescent Current	I_Q	$T_J = +25^\circ\text{C}$	-	5.1	6.0	mA	
Quiescent Current Change	ΔI_Q	$V_I = 15\text{V}$ to 30V , $T_J = +25^\circ\text{C}$	-		0.5	mA	
		$V_I = 14\text{V}$ to 27V , $I_O = 500\text{mA}$	-		0.8		
		$I_O = 5\text{mA}$ to 1.0A	-		0.8		
Output Voltage Drift	$\Delta V/\Delta T$	$I_O = 5\text{mA}$	-	-1.0	-	mV/ $^\circ\text{C}$	
Output Noise Voltage	V_N	$f = 10\text{Hz}$ to 100KHz $T_A = +25^\circ\text{C}$	-	10	-	μV	
Ripple Rejection	RR	$f = 120\text{Hz}$, $I_O = 500\text{mA}$ $V_I = 14\text{V}$ to 24V	-	60	-	dB	
Dropout Voltage	V_D	$I_O = 1\text{A}$, $T_J = +25^\circ\text{C}$	-	2.0	-	V	
Output Resistance	R_O	$f = 1\text{KHz}$	-	18	-	$\text{m}\Omega$	
Short Circuit Current	ISC	$V_I = 35\text{V}$, $T_A = +25^\circ\text{C}$	-	250	-	mA	
Peak Current	I_{PK}	$T_J = +25^\circ\text{C}$	-	2.2	-	A	

- Load and line regulation are specified at constant, junction temperature. Change in V_O due to heating effects must be taken into account separately. Pulse testing with low duty is used.

Electrical Characteristics (KA7815A)

(Refer to the test circuits. $T_J = 0$ to $+150^\circ\text{C}$, $I_O = 1\text{A}$, $V_I = 23\text{V}$, $C_I = 0.33\mu\text{F}$, $C_O = 0.1\mu\text{F}$, unless otherwise specified)

Parameter	Symbol	Conditions	Min.	Typ.	Max.	Unit	
Output Voltage	V_O	$T_J = +25^\circ\text{C}$	14.7	15	15.3	V	
		$I_O = 5\text{mA}$ to 1A , $P_D \leq 15\text{W}$ $V_I = 17.7\text{V}$ to 30V	14.4	15	15.6		
*Line Regulation	ΔV_O	$V_I = 17.9\text{V}$ to 30V $I_O = 500\text{mA}$	-	10	150	mV	
		$V_I = 20\text{V}$ to 26V	-	5	150		
		$T_J = +25^\circ\text{C}$	$V_I = 17.5\text{V}$ to 30V	-	11		150
			$V_I = 20\text{V}$ to 26V	-	3		75
*Load Regulation		$T_J = +25^\circ\text{C}$ $I_O = 5\text{mA}$ to 1.5A	-	12	100	mV	
		$I_O = 5\text{mA}$ to 1.0A	-	12	100		
		$I_O = 250\text{mA}$ to 750mA	-	5	50		
Quiescent Current	I_Q	$T_J = +25^\circ\text{C}$	-	5.2	6.0	mA	
Quiescent Current Change	ΔI_Q	$V_I = 17.5\text{V}$ to 30V , $T_J = +25^\circ\text{C}$	-	-	0.5	mA	
		$V_I = 17.5\text{V}$ to 30V , $I_O = 500\text{mA}$	-	-	0.8		
		$I_O = 5\text{mA}$ to 1.0A	-	-	0.8		
Output Voltage Drift	$\Delta V/\Delta T$	$I_O = 5\text{mA}$	-	-1.0	-	$\text{mV}/^\circ\text{C}$	
Output Noise Voltage	V_N	$f = 10\text{Hz}$ to 100KHz $T_A = +25^\circ\text{C}$	-	10	-	μV	
Ripple Rejection	RR	$f = 120\text{Hz}$, $I_O = 500\text{mA}$ $V_I = 18.5\text{V}$ to 28.5V	-	58	-	dB	
Dropout Voltage	V_D	$I_O = 1\text{A}$, $T_J = +25^\circ\text{C}$	-	2.0	-	V	
Output Resistance	R_O	$f = 1\text{KHz}$	-	19	-	$\text{m}\Omega$	
Short Circuit Current	I_{SC}	$V_I = 35\text{V}$, $T_A = +25^\circ\text{C}$	-	250	-	mA	
Peak Current	I_{PK}	$T_J = +25^\circ\text{C}$	-	2.2	-	A	

- Load and line regulation are specified at constant, junction temperature. Change in V_O due to heating effects must be taken into account separately. Pulse testing with low duty is used.

Electrical Characteristics (KA7818A)

(Refer to the test circuits. $T_J = 0$ to $+150^\circ\text{C}$, $I_O = 1\text{A}$, $V_I = 27\text{V}$, $C_I = 0.33\mu\text{F}$, $C_O = 0.1\mu\text{F}$, unless otherwise specified)

Parameter	Symbol	Conditions	Min.	Typ.	Max.	Unit	
Output Voltage	V_O	$T_J = +25^\circ\text{C}$	17.64	18	18.36	V	
		$I_O = 5\text{mA}$ to 1A , $P_D \leq 15\text{W}$ $V_I = 21\text{V}$ to 33V	17.3	18	18.7		
*Line Regulation	ΔV_O	$V_I = 21\text{V}$ to 33V $I_O = 500\text{mA}$	-	15	180	mV	
		$V_I = 21\text{V}$ to 33V	-	5	180		
		$T_J = +25^\circ\text{C}$	$V_I = 20.6\text{V}$ to 33V	-	15		180
			$V_I = 24\text{V}$ to 30V	-	5		90
*Load Regulation		$T_J = +25^\circ\text{C}$ $I_O = 5\text{mA}$ to 1.5A	-	15	100	mV	
		$I_O = 5\text{mA}$ to 1.0A	-	15	100		
		$I_O = 250\text{mA}$ to 750mA	-	7	50		
Quiescent Current	I_Q	$T_J = +25^\circ\text{C}$	-	5.2	6.0	mA	
Quiescent Current Change	ΔI_Q	$V_I = 21\text{V}$ to 33V , $T_J = +25^\circ\text{C}$	-	-	0.5	mA	
		$V_I = 21\text{V}$ to 33V , $I_O = 500\text{mA}$	-	-	0.8		
		$I_O = 5\text{mA}$ to 1.0A	-	-	0.8		
Output Voltage Drift	$\Delta V/\Delta T$	$I_O = 5\text{mA}$	-	-1.0	-	mV/ $^\circ\text{C}$	
Output Noise Voltage	V_N	$f = 10\text{Hz}$ to 100KHz $T_A = +25^\circ\text{C}$	-	10	-	μV	
Ripple Rejection	RR	$f = 120\text{Hz}$, $I_O = 500\text{mA}$ $V_I = 18.5\text{V}$ to 28.5V	-	57	-	dB	
Dropout Voltage	V_D	$I_O = 1\text{A}$, $T_J = +25^\circ\text{C}$	-	2.0	-	V	
Output Resistance	R_O	$f = 1\text{KHz}$	-	19	-	$\text{m}\Omega$	
Short Circuit Current	ISC	$V_I = 35\text{V}$, $T_A = +25^\circ\text{C}$	-	250	-	mA	
Peak Current	I_{PK}	$T_J = +25^\circ\text{C}$	-	2.2	-	A	

- Load and line regulation are specified at constant, junction temperature. Change in V_O due to heating effects must be taken into account separately. Pulse testing with low duty is used.

Electrical Characteristics (KA7824A)

(Refer to the test circuits. $T_J = 0$ to $+150$ °C, $I_O = 1A$, $V_I = 33V$, $C_I = 0.33\mu F$, $C_O = 0.1\mu F$, unless otherwise specified)

Parameter	Symbol	Conditions	Min.	Typ.	Max.	Unit	
Output Voltage	V_O	$T_J = +25$ °C	23.5	24	24.5	V	
		$I_O = 5mA$ to $1A$, $P_D \leq 15W$ $V_I = 27.3V$ to $38V$	23	24	25		
*Line Regulation	ΔV_O	$V_I = 27V$ to $38V$ $I_O = 500mA$	-	18	240	mV	
		$V_I = 21V$ to $33V$	-	6	240		
		$T_J = +25$ °C	$V_I = 26.7V$ to $38V$	-	18		240
			$V_I = 30V$ to $36V$	-	6		120
*Load Regulation		$T_J = +25$ °C $I_O = 5mA$ to $1.5A$	-	15	100	mV	
		$I_O = 5mA$ to $1.0A$	-	15	100		
		$I_O = 250mA$ to $750mA$	-	7	50		
Quiescent Current	I_Q	$T_J = +25$ °C	-	5.2	6.0	mA	
Quiescent Current Change	ΔI_Q	$V_I = 27.3V$ to $38V$, $T_J = +25$ °C	-	-	0.5	mA	
		$V_I = 27.3V$ to $38V$, $I_O = 500mA$	-	-	0.8		
		$I_O = 5mA$ to $1.0A$	-	-	0.8		
Output Voltage Drift	$\Delta V/\Delta T$	$I_O = 5mA$	-	-1.5	-	mV/ °C	
Output Noise Voltage	V_N	$f = 10Hz$ to $100KHz$ $T_A = 25$ °C	-	10	-	μV	
Ripple Rejection	RR	$f = 120Hz$, $I_O = 500mA$ $V_I = 18.5V$ to $28.5V$	-	54	-	dB	
Dropout Voltage	V_D	$I_O = 1A$, $T_J = +25$ °C	-	2.0	-	V	
Output Resistance	R_O	$f = 1KHz$	-	20	-	$m\Omega$	
Short Circuit Current	ISC	$V_I = 35V$, $T_A = +25$ °C	-	250	-	mA	
Peak Current	I_{PK}	$T_J = +25$ °C	-	2.2	-	A	

- Load and line regulation are specified at constant, junction temperature. Change in V_O due to heating effects must be taken into account separately. Pulse testing with low duty is used.

Typical Performance Characteristics

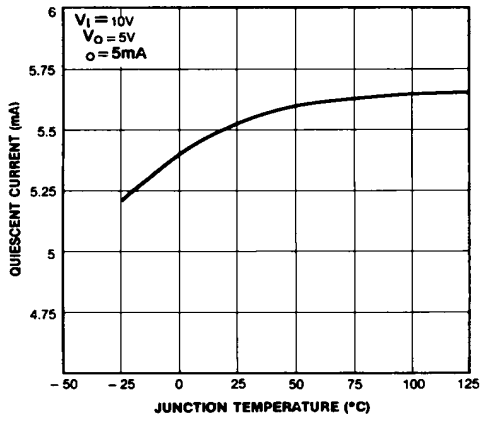


Figure 1. Quiescent Current

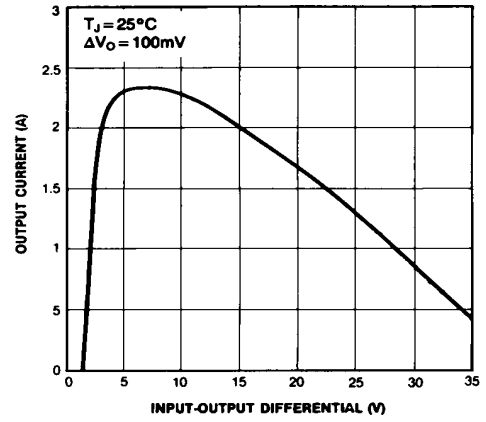


Figure 2. Peak Output Current

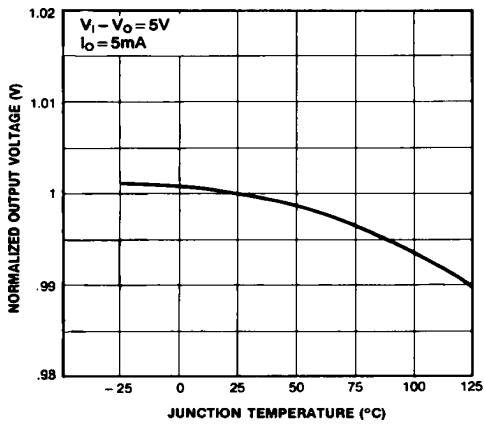


Figure 3. Output Voltage

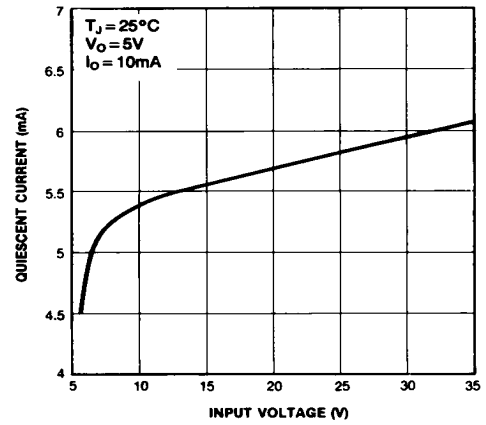


Figure 4. Quiescent Current

Typical Applications

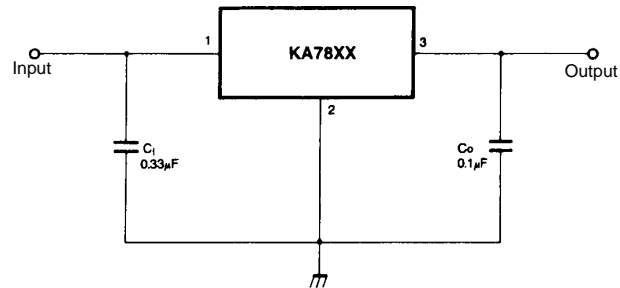


Figure 5. DC Parameters

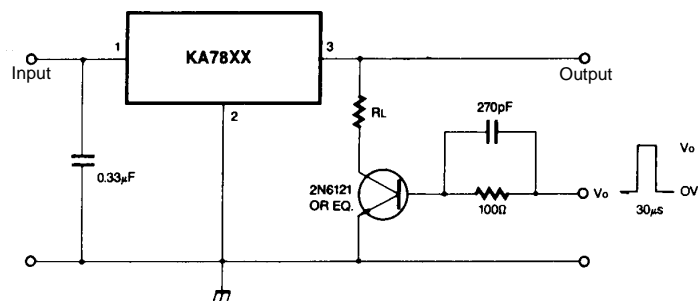


Figure 6. Load Regulation

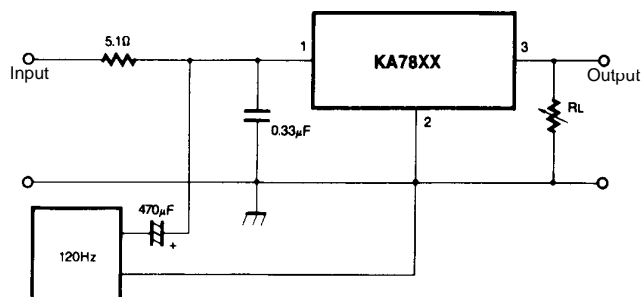


Figure 7. Ripple Rejection

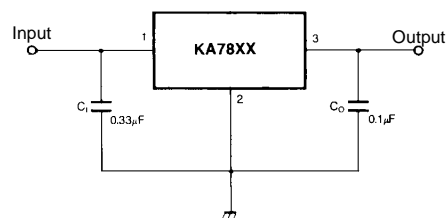


Figure 8. Fixed Output Regulator

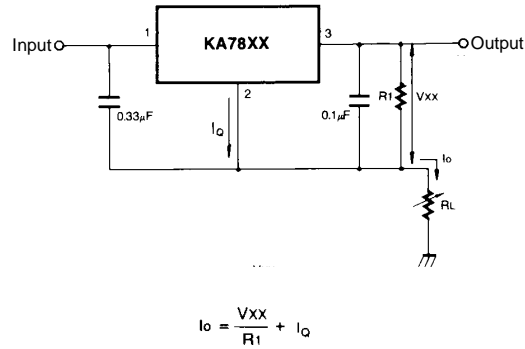
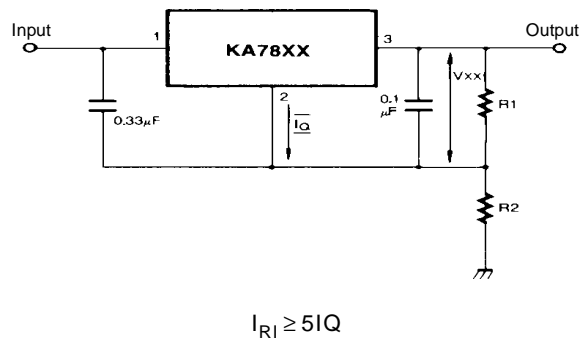


Figure 9. Constant Current Regulator

Notes:

- (1) To specify an output voltage, substitute voltage value for "XX." A common ground is required between the input and the Output voltage. The input voltage must remain typically 2.0V above the output voltage even during the low point on the input ripple voltage.
- (2) C_I is required if regulator is located an appreciable distance from power Supply filter.
- (3) C_O improves stability and transient response.



$$V_O = V_{XX}(1+R_2/R_1)+I_Q R_2$$

Figure 10. Circuit for Increasing Output Voltage

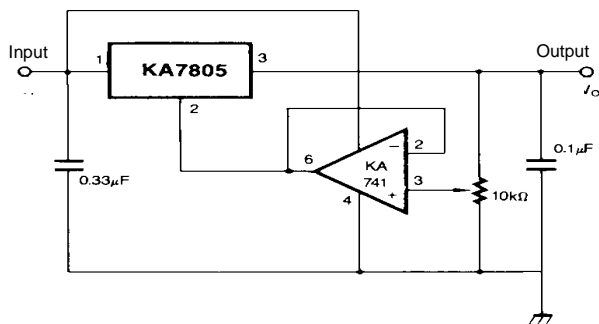


Figure 11. Adjustable Output Regulator (7 to 30V)

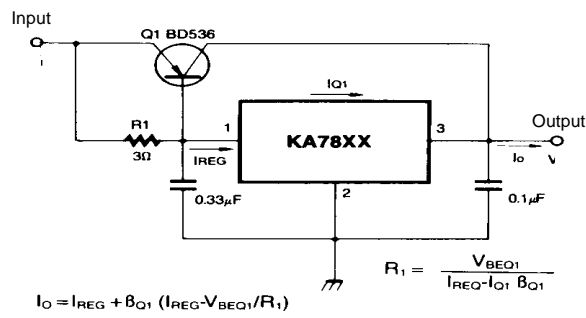


Figure 12. High Current Voltage Regulator

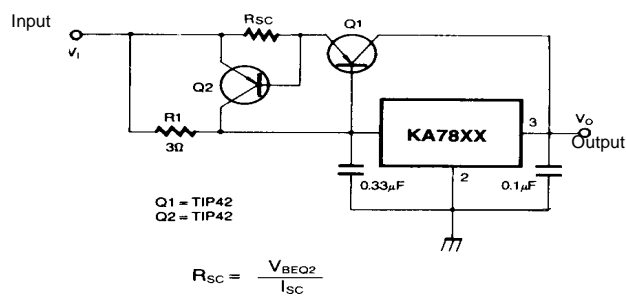


Figure 13. High Output Current with Short Circuit Protection

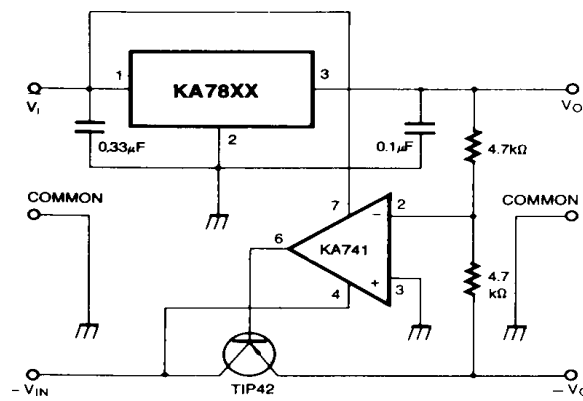


Figure 14. Tracking Voltage Regulator

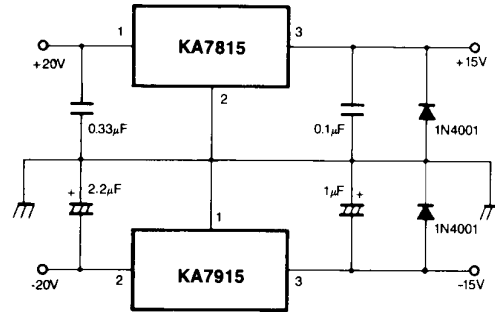


Figure 15. Split Power Supply (±15V-1A)

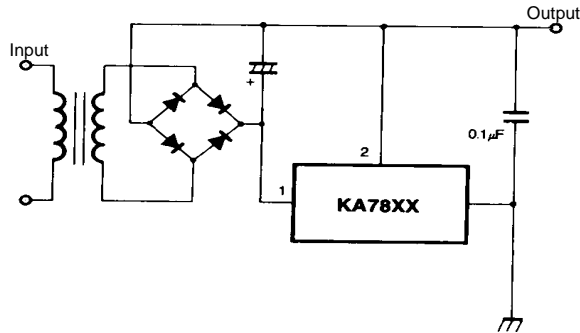


Figure 16. Negative Output Voltage Circuit

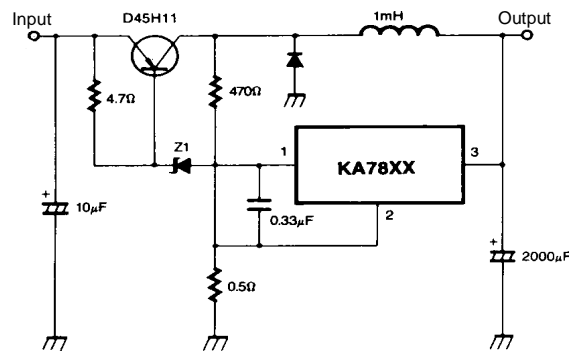
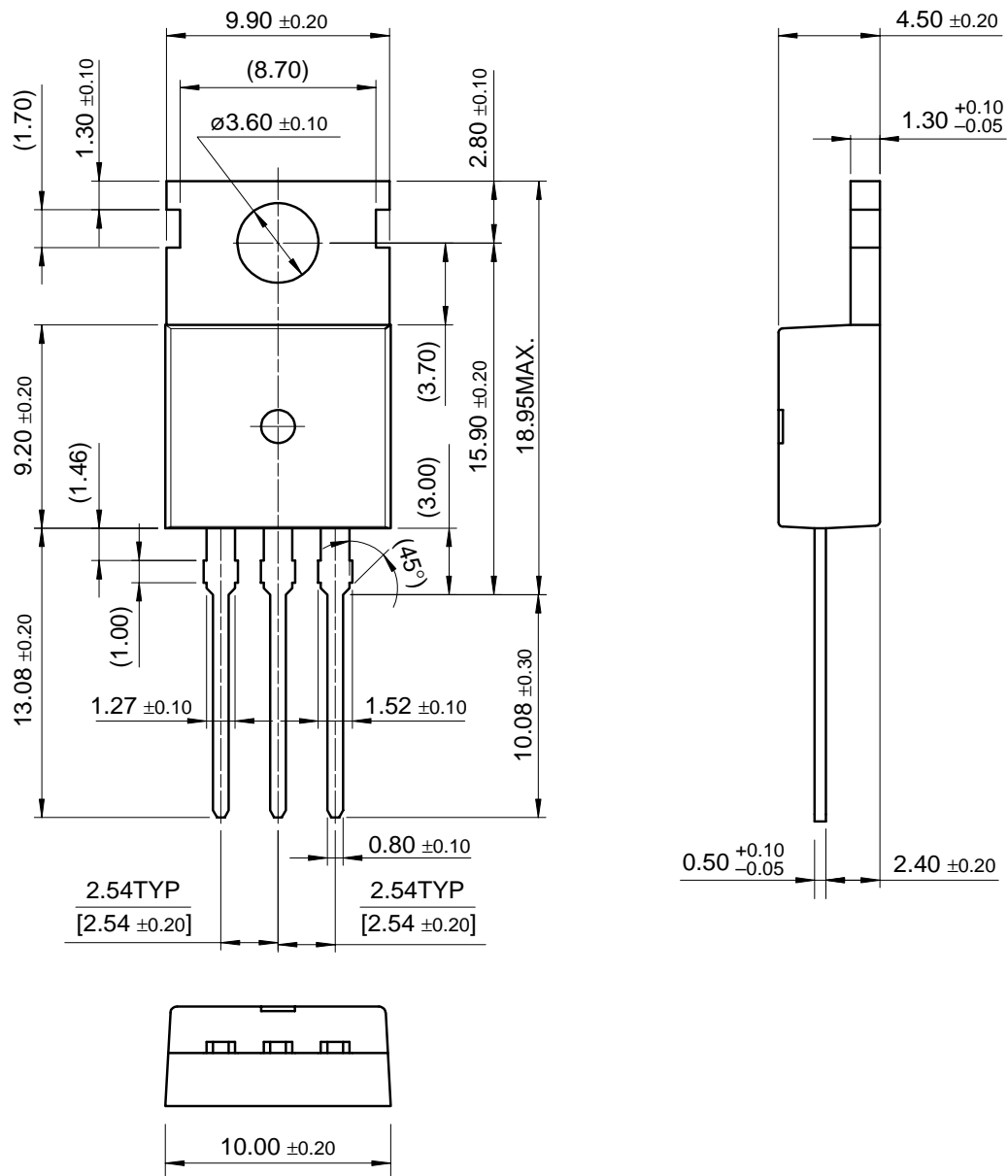


Figure 17. Switching Regulator

Mechanical Dimensions

Package

TO-220



Ordering Information

Product Number	Output Voltage Tolerance	Package	Operating Temperature
KA7805 / KA7806	±4%	TO-220	0 ~ + 125°C
KA7808 / KA7809			
KA7810 / KA7811			
KA7812 / KA7815			
KA7818 / KA7824			
KA7805A / KA7806A	±2%		
KA7808A / KA7809A			
KA7810A / KA7811A			
KA7812A / KA7815A			
KA7818A / KA7824A			
KA7805R / KA7806R	±4%	D-PAK	
KA7808R / KA7809R			
KA7810R / KA7811R			
KA7812R / KA7815R			
KA7818R / KA7824R			

LIFE SUPPORT POLICY

FAIRCHILD'S PRODUCTS ARE NOT AUTHORIZED FOR USE AS CRITICAL COMPONENTS IN LIFE SUPPORT DEVICES OR SYSTEMS WITHOUT THE EXPRESS WRITTEN APPROVAL OF THE PRESIDENT OF FAIRCHILD SEMICONDUCTOR INTERNATIONAL. As used herein:

1. Life support devices or systems are devices or systems which, (a) are intended for surgical implant into the body, or (b) support or sustain life, and (c) whose failure to perform when properly used in accordance with instructions for use provided in the labeling, can be reasonably expected to result in a significant injury of the user.
2. A critical component in any component of a life support device or system whose failure to perform can be reasonably expected to cause the failure of the life support device or system, or to affect its safety or effectiveness.